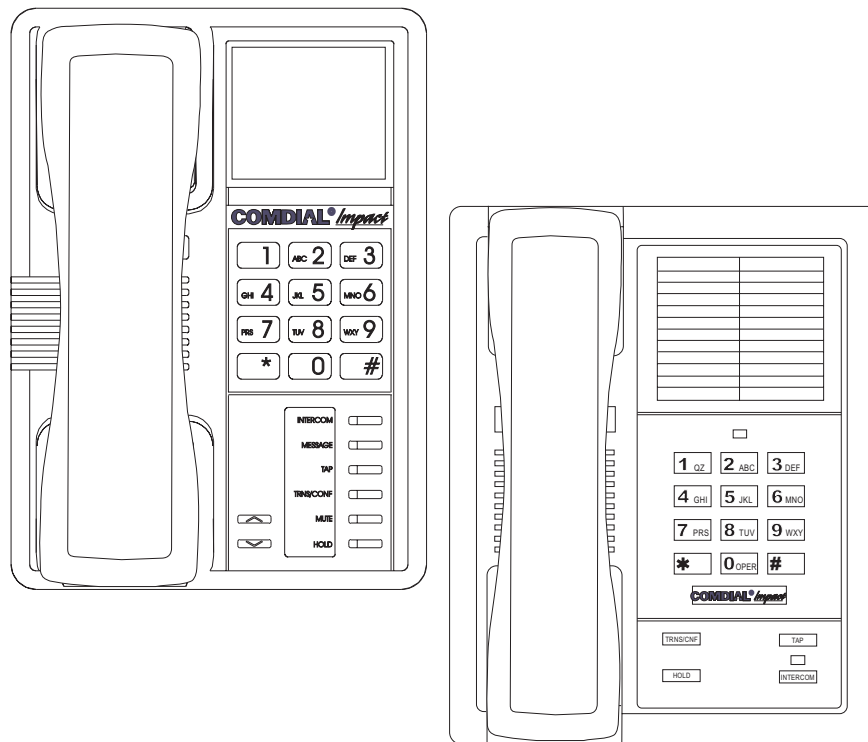


# COMDIAL®

DXP, DXP Plus, and FX Series  
Digital Communications System

*Impact* • *Impact*  
SCS

Proprietary Single Line Telephone (SLPS)  
Station User's Guide



This user's applies to the following system and telephone models:

System Models:

- DXP systems with software 12A and later.
- DXP Plus systems with software 12A and later.
- FX Series with software 12A and later.

Telephone Models:

- Impact 8101N-\*\* Rev. A and later.
- Impact SCS 8201N-\*\* Rev. A and later.

Contact your Comdial dealer for updates of this as well as other Comdial publications.



\*Tri-Level Compression is a registered trademark of ACS Wireless, Inc.

*Comdial's Quality Management System Is Certified To The ISO 9001 Standard.*

Comdial® strives to design the features in our communications systems to be fully interactive with one another. However, this is not always possible, as the combinations of accessories and features are too varied and extensive to insure total feature compatibility. Accordingly, some features identified in this publication will not operate if some other feature is activated.

Comdial® disclaims all liability relating to feature non-compatibility or associated in any way with problems which may be encountered by incompatible features. Notwithstanding anything contained in this publication to the contrary, Comdial® makes no representation herein as to the compatibility of features.

**Contents**

<b>1</b>	<b>Introducing The Single Line Telephone</b> .....	<b>1–1</b>
1.1	Understanding What The Lights Mean .....	1–2
1.2	Adjusting The Telephone Pedestal .....	1–4
<b>2</b>	<b>Answering Calls</b> .....	<b>2–1</b>
2.1	Answering Calls .....	2–1
2.2	Answering Subdued Off-Hook Voice Announcement (SOHVA) Calls .....	2–2
<b>3</b>	<b>Making Calls</b> .....	<b>3–1</b>
3.1	Making Calls .....	3–1
3.2	Camping On At A Busy Station And Waiting For An Automatic Callback .....	3–4
3.3	Camping On At An Idle Station And Waiting For An Automatic Callback .....	3–5
3.4	Camping On At A Busy Station And Waiting For An Answer (Call Waiting) .....	3–6
3.5	Overriding A Call Or A Do Not Disturb Condition At Another Telephone (Executive Override) ..	3–7
<b>4</b>	<b>Placing Calls On Hold</b> .....	<b>4–1</b>
4.1	Holding Calls .....	4–1
<b>5</b>	<b>Transferring Outside Calls</b> .....	<b>5–1</b>
5.1	Transferring Calls .....	5–1
<b>6</b>	<b>Conferencing Stations Together</b> .....	<b>6–1</b>
6.1	Conferencing Telephones Together .....	6–1

<b>7</b>	<b>Using The Other Telephone Features</b> .....	<b>7-1</b>
7.1	Using The Recall/Flash Feature .....	7-1
7.2	Making A Paging Announcement .....	7-1
7.3	Switching Between Pulse And Tone .....	7-2
7.4	Forwarding Calls .....	7-2
7.5	Using The Tracker Paging System .....	7-3
7.6	Setting Your Personal Ringing Tones .....	7-5
7.7	Setting Your Ring Volume .....	7-5
7.8	Using The IMIST Module .....	7-6
<b>8</b>	<b>Sending And Receiving Non-Verbal Messages</b> .....	<b>8-1</b>
8.1	Lighting The Message-Waiting Light .....	8-1
8.2	Sending A System-Supplied LCD Message To A Calling LCD Speakerphone .....	8-2
<b>9</b>	<b>Programming Your Telephone</b> .....	<b>9-1</b>
9.1	Storing Speed Dial Numbers .....	9-1
<b>10</b>	<b>Troubleshooting Your Telephone</b> .....	<b>10-1</b>
<b>Index</b>	.....	<b>Index-1</b>
<b>Quick Reference Guide</b>	.....	<b>Quick Reference-1</b>

**1*****Introducing The  
Single Line Telephone***

---

Congratulations and thank you for using a Comdial telephone! This manual serves as a helpful guide for using your new telephone's various functions.

Your proprietary telephone will provide you with single line operation without the added complexity of monitor or speakerphone requirements. It will give you access to the many useful features provided by your digital communications system.

***NOTE: Throughout this book, all references to fixed buttons are printed in upper case bold type, for example "Press the INTERCOM button."***

## **1.1 Understanding What The Lights Mean**

The lights on your telephone indicate the status of lines, features, and intercom.

— **Next to a fixed feature or programmable feature button:**

- **Steady red = feature on.**
- **Steady off = feature off.**

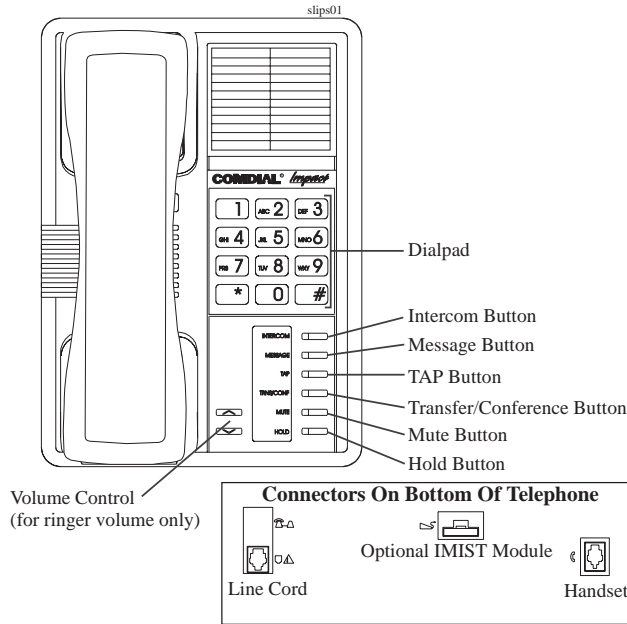
— **Next to the INTERCOM button:**

- **Steady green with a quick flash = you are using your intercom.**
- **Winking red = a message is set on your telephone for others to receive when calling.**
- **Flashing orange = another station is calling you.**

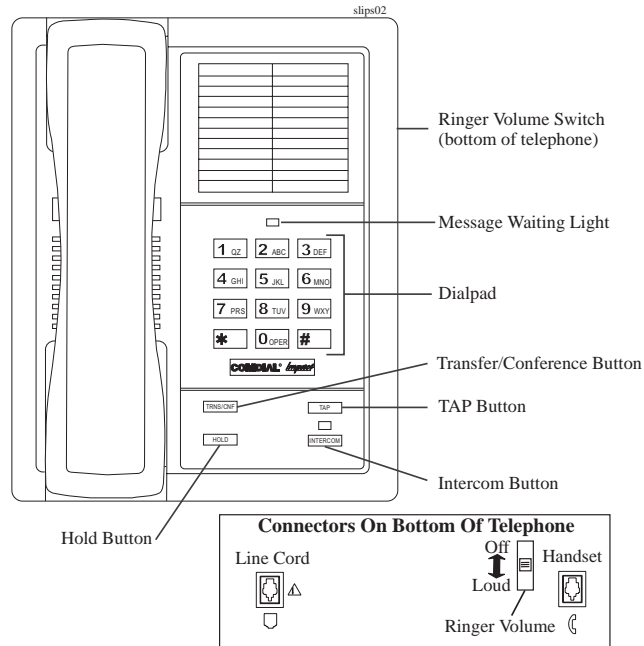
— **Above the keypad (8101N only):**

- **Different activities are indicated by different flash rates for this light. These flash rates are described below:**

<b>Indication</b>	<b>Activity</b>
Fluttering red	Message awaits pickup
Winking green (3 blinks with pause)	Hold or park function active



Impact SCS 8201N Single Line Telephone

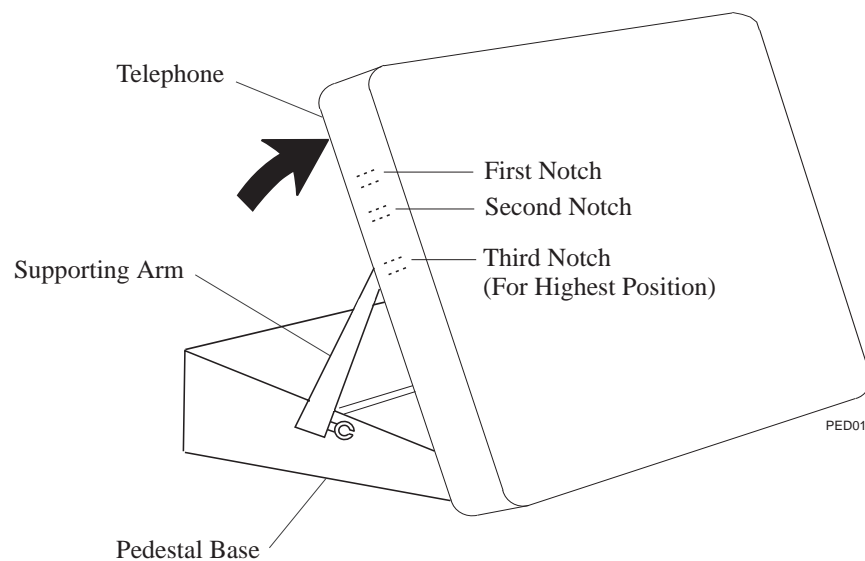


Impact 8101N Single Line Telephone

## 1.2 Adjusting The Telephone Pedestal (Model 8201N only)

Your telephone has an adjustable pedestal to allow you to select the most comfortable viewing angle. When you receive the telephone, the pedestal is in its lowest position—flush against the pedestal.

- **To adjust the pedestal,**
  1. Grasp the rear of the pedestal base firmly with one hand while lifting the rear portion of the telephone upward with your other hand.
  2. While pivoting the telephone upward with one hand, pivot the telephone supporting arms upward with your other hand while feeling for the notches under the telephone. Notice there are three sets of notches under the telephone corresponding to the three positions available.
  3. When the telephone is at the desired height, find the closest pair of notches and place the supporting arms in the notches. Press down slightly on the telephone until you feel the supporting arms snap into place.





**2****Answering Calls****2.1 Answering Calls**

- **To answer a call that is ringing at your telephone,**
  1. Hear your telephone ringing and lift handset.
- **To answer a call that is ringing at any telephone,**
  1. Hear ringing at other telephone.
  2. Lift handset at your station and listen for intercom dial tone.
  3. Dial \* 4 plus extension number of ringing telephone.
- **To answer a call that is ringing at a particular telephone in your call group,**
  1. Hear ringing at other telephone.
  2. Lift handset at your station and listen for intercom dial tone.
  3. Dial # 4 (ringing station must be programmed in your call pickup group),
  4. Lift handset to talk.
- **To answer a call that is ringing the loud ringer or night transfer station,**
  1. Hear ringing.
  2. Lift handset and listen for intercom dial tone.
  3. Dial 65 through 68 to select ringing zone (1-4) where the bell is located, or dial 69 to answer any ringing zone.

**NOTE:** *This feature is known as Trunk Access From Any Station (TAFAS).*

## **2.2 Answering Subdued Off-Hook Voice Announcement (SOHVA) Calls**

*NOTE: Your telephone may be arranged to receive a subdued off-hook voice announcement (SOHVA). If it is, an intercom caller may break into your outside call and deliver a message to your telephone receiver for you to hear.*

- **To Answer a SOHVA,**
  1. While off-hook on an outside call, hear several quick tone bursts followed by an announcement delivered to your ear through the handset.
- **To Reply to a SOHVA (8201N only),**
  1. Press and hold the **MUTE** button.  
As long as you hold the **MUTE** key, you are on line with the SOHVA caller.
  2. Release the **MUTE** key when you are finished with your reply.  
You are now on line with your original call.
- **To Block SOHVA,**
  1. Lift handset and listen for intercom dial tone.
  2. Dial \* 2.
- **To Remove Block,**
  1. Lift handset and listen for intercom dial tone.
  2. Dial # 2.

# 3

## Making Calls

### 3.1 Making Calls

*NOTE: The following procedures assume your telephone is programmed for prime intercom (intercom dial tone when you pick up the handset). If your telephone is programmed for prime line (outside line dial tone when you pick up the handset), press INTERCOM to select an intercom path.*

- **To make a call,**
  1. Lift handset and listen for intercom dial tone.
  2. Select line by dialing line group access code:
    - 9 = group 1,
    - 80 through 89 = groups 2 through 11,
    - 60 through 64 = groups 12 through 16.
  3. Listen for outside dial tone.
  3. Dial number.
- **To dial a personal or system speed dial number,**
  1. Lift handset and listen for intercom dial tone.
  2. Press **TAP**.
  3. Dial desired code:
    - 1-0 = personal speed dial number.
    - \* 000-\* 999 = system speed dial number.

*NOTE: Earlier systems are limited to speed dial codes \* 100-\* 599.*

- **To redial the last number you dialed at your telephone,**
  1. Lift handset and listen for intercom dial tone.
  2. Press **TAP** and dial #.

- **To queue for a line group if all lines are busy,**
  1. Lift handset and listen for intercom dial tone.
  2. Dial line group access code:
    - 9** = group 1,
    - 80 through 89** = groups 2 through 11,
    - 60 through 64** = groups 12 through 16.
  3. Hear busy tone and dial \* **6**.
  4. Hang up handset and wait for queuing ring-back.
- **To answer queuing ring-back,**
  1. Lift handset and hear dial tone for line.
- **To cancel queuing before it rings back at your telephone,**
  1. Lift handset and listen for intercom dial tone.
  2. Dial # **6**.
  3. Hang up handset.
- **If you are required to enter an account code when making outside calls,**
  1. Lift handset and select line:
    - 9** = group 1,
    - 80 through 89** = groups 2 through 11,
    - 60 through 64** = groups 12 through 16.
  2. Press **INTERCOM** and dial \* **04** (call is placed on HOLD).
  3. Dial your account number, hear outside dial tone, and dial outside number.

### ***3.2 Camping On At A Busy Station And Waiting For An Automatic Callback***

If you call another station and receive a busy signal or a Do Not Disturb tone, you can press a button that will cause the system to ring your telephone when the station is available. This is called “camping on at a station.” Please note that you can camp on to only one station at a time.

- **To arrange for the system to call back when a busy station becomes idle or rings with no answer,**
  1. Make intercom call and hear busy signal or ring-back tone.
  2. Dial \* 6.
  3. Hang up. (When called station becomes idle or is operated by its user, your station will ring with five short tone bursts. Call back is canceled if you do not lift your handset when you hear this ringing).
- **To answer call-back ring,**
  1. Lift handset. (Called station will ring. Call-back is canceled if you do not lift your handset.)
- **To cancel automatic call back before your telephone sounds the tone bursts,**
  1. Lift handset and listen for intercom dial tone.
  2. Dial # 6.
  3. Hang up handset.
- **To camp on at a station with a Do Not Disturb condition set,**
  1. Dial \* 6 when you hear the DND tone. A call back will occur when called station is no longer set in the Do Not Disturb mode.

### ***3.3 Camping On At An Idle Station And Waiting For An Automatic Callback***

---

If you call another station and hear ringing but receive no answer, you can press a button that will cause the system to ring your telephone when an activity is initiated at that station.

- **To camp on at a station for which you hear ringing but receive no answer,**
  1. Dial \* 6.
  2. Call back will occur after any activity is initiated at dialed station.
- **To cancel the camp-on condition at any time,**
  1. Lift handset and listen for intercom dial tone.
  2. Dial # 6.
  3. Hang up.

### ***3.4 Camping On At A Busy Station And Waiting For An Answer (Call Waiting)***

If the telephone you have called is busy, you can send a call-waiting tone to the telephone and wait on the line for an answer.

- **To activate call waiting,**
  1. Make **INTERCOM** call and receive busy tone.
  2. Dial \* 6 (called party hears tone).
  3. Wait on line for reply.

Called party can place the current call on hold or disconnect from the call to answer your call-waiting tone, or choose to ignore your call-waiting tone and continue current conversation.

- **To cancel call waiting,**
  1. Hang up handset.
- **To answer a call waiting tone if you receive one while on a call,**
  1. Hear short tone burst in receiver.
  2. Either place current call on hold or complete call and hang up (waiting call will ring at your telephone).
  3. Lift handset to answer call.

You may, of course, choose to ignore the call-waiting tone and remain on the line with the original caller.

### **3.5 *Overriding A Call Or A Do Not Disturb Condition At Another Telephone (Executive Override)***

---

- **To override an in-progress call or a Do Not Disturb condition at another telephone,**
  1. Lift handset and listen for intercom dial tone.
  2. Make intercom call and hear a busy signal.
  3. Dial \* **03** (all parties will hear several tone bursts).
  4. Hear ring-back tone and be prepared to speak your announcement.

***NOTE: This action disables a DND condition at the other telephone until DND is reset.***



# 4

## Placing Calls On Hold

### 4.1 Holding Calls

- **To place a call on hold,**
  1. Press **HOLD**.
  2. Hang up handset.
  
- **To return to a call that is on hold,**
  1. Lift handset and press **TAP**.
  
- **To place a call on exclusive hold,**
  1. Press **HOLD** twice and hang up handset.
  
- **To retrieve an exclusive hold,**
  1. Lift handset and press **TAP**.
  
- **To place a call on hold at another telephone,**
  1. While on line, press **INTERCOM** (system places call on hold).
  2. Dial \* **90**, then dial extension number of telephone to receive held call.
  3. Hang up handset.
  
- **To retrieve a held call at another station,**
  1. Lift handset and listen for intercom dial tone.
  2. Press **INTERCOM** and dial # **90**.
  3. Dial extension number of station that has the held call.
  4. Answer call.

- **To answer a call at the extension receiving held call,**
  1. Lift handset and listen for intercom dial tone.
  2. Dial # **90**.
  
- **To park a call,**
  1. Press **INTERCOM** (if on an outside call), or press **HOLD**, then **INTERCOM** (if on an inside call).
  2. Dial \*, then dial park orbit access code (**91–99** for orbit **1–9**). If chosen orbit is busy, dial alternative orbit number.
  3. Hang up handset.
  4. Remember the code for later use or make it known to those who need to know it in order to retrieve the call.

***NOTE: If call is not retrieved within a programmable time limit, it reverts to the parking station as a standard held call, and only one call can be placed in an orbit at a time.***

- **To retrieve a parked call,**
  1. Lift handset and listen for intercom dial tone.
  2. Dial #.
  3. Dial park orbit access code (**91–99** for orbit **1–9**).
  4. Answer call.

**5****Transferring Outside Calls****5.1 Transferring Calls**

- **To announce a call before transferring it,**
  1. Answer outside call.
  2. Press **TRANSFER/CONFERENCE** (call is placed on hold).
  3. Dial station number. If you hear a busy signal or receive no answer, press **TAP** and return to outside call.
  4. When the party answers, announce the call.
  5. Hang up the handset (call is transferred).
  
- **To transfer a call without first announcing it,**
  1. Answer outside call.
  2. Press **TRANSFER/CONFERENCE** (call is placed on hold).
  3. Dial station number. If you hear a busy signal, press **TAP** and return to outside call.
  4. Hang up handset. Call will re-ring your telephone if it is not answered within a preprogrammed time.

- **To make a hot transfer,**
  1. Answer call.
  2. Press **TRANSFER/CONFERENCE** (the call is automatically placed on hold).
  3. Dial extension number of telephone to receive the transfer.
  4. Announce call.
  5. Press **TRANSFER/CONFERENCE**.
  6. Hang up. The person receiving the transfer then has the call.
  
- **To do a quick screened transfer to intercom or tie line,**
  1. Answer call.
  2. Dial intercom number (or tie line access code) for transfer location.
  3. When party at transfer location answers, announce call.
  4. Hang up.
  
- **To do a quick unscreened transfer to intercom or tie line,**
  1. Answer call.
  2. Dial intercom number for transfer location.
  3. Hang up.

# 6

## **Conferencing Stations Together**

### **6.1 Conferencing Telephones Together**

- **To set up a conference call that includes any combination of outside lines and intercom parties,**
  1. Make first call.
  2. Press **TRANSFER/CONFERENCE**; call is placed on hold automatically.
  3. Make next call.
  4. Press **TRANSFER/CONFERENCE** to establish conference.
  5. Repeat the last three procedures to add up to two more parties for a 5-party conference (including yourself); or, if you are using a *DXP Plus* or *FX Series* system, you can add up to four more parties for a 7-party conference.

***NOTE:*** *When using a DXP Plus or FX Series system, you can have up to seven parties (including yourself) on a conference call.*

- **To drop out of a conference call between you and two outside lines (creating an unsupervised conference),**
  1. Dial #.
- **To rejoin an unsupervised conference between two outside lines,**
  1. Lift handset and press **TAP**.

***NOTE:*** *Conference volume levels depend upon the quality of the external lines.*

*This page remains blank intentionally.*

# 7

## Using The Other Telephone Features

### 7.1 Using The Recall/Flash Feature

Your host system provides certain features that you can access from your telephone. Your system will probably be configured so that pressing **TAP** results in a flash signal to allow access, through dialed codes, to these features.

- **If your system has been configured for flash,**
  1. Press **TAP** to generate a timed flash signal while on line.
  
- **If your system has been configured for recall,**
  1. Press **TAP** while on line to disconnect you from the current call and return dial tone to your station.

### 7.2 Making a Paging Announcement

- **To send a paging announcement,**
  1. Lift handset and listen for intercom dial tone.
  2. Dial **70–77** for zones 1–8 (in the default mode, zone 1—code 70—provides an all-call function).
  3. Make announcement.
  4. Remain on line if awaiting a reply (known as a meet-me page),  
—OR—  
hang up handset.

At times other telephone users may page you with instructions to meet them on line. This is known as a *meet-me* page. You can go to the nearest telephone, dial a code, and be in contact with the paging party.

- **To reply to a *meet-me* page,**
  1. Lift handset of nearest telephone and listen for intercom dial tone.
  2. Dial **78**.
  3. Meet paging party on line.

### **7.3 Switching Between Pulse And Tone**

- **If the local telephone service is pulse (for rotary dialing), you can convert to tone while dialing as follows:**
  1. Press # at point in dialing sequence where conversion to tone is required.

**NOTE:** *You can store pulse/tone switching along with your speed dial number codes by pressing # during the number storage.*

### **7.4 Forwarding Calls**

- **To forward your calls to another telephone,**
  1. Lift handset and listen for intercom dial tone.
  2. Dial forwarding code:
    - \***52** = all calls forward immediately,
    - \***54** = all calls forward after busy or no answer,
    - \***51** = prime line and personal intercom calls forward immediately,
    - \***53** = prime line and personal intercom calls forward on busy or no answer.
  3. Dial extension number of telephone to receive your forwarded calls.
  4. Hang up handset.



- **To cancel call forwarding,**
  1. Lift handset and listen for intercom dial tone.
  2. Dial # 5.

*NOTE: For each call you receive during call forward, you will hear a short tone burst to remind you calls are being forwarded.*

## **7.5 Using The Tracker Paging System**

The Tracker Pager System option allows you to send call back and parked call messages to Tracker pagers assigned to station numbers.

Along with the parked call message, the system parks the call in orbit for retrieval by the paged party. The type of message that the system delivers (either alphanumeric or numeric-only) depends on the Tracker pager model in use at the station.

When outside callers call into a system that has both Tracker Paging and voice mail options installed, the system can be configured to give these callers the option of either leaving a message or tracking the person they are calling.

If you have a Tracker pager assigned to your personal intercom number, you can receive messages that someone else sends you. The system automatically installs the Tracker pager for your use; however, you can disable it when you do not wish to receive paged messages and when you leave at the end of your day. Of course, if you do disable your Tracker pager at the end of your day, be sure to enable it at the beginning of your next day.

- **To track a called party after receiving a ring-no answer,**
  1. Dial \* 8.
  2. Hear confirmation beep (Tracker page accepted) or hear busy tone (Tracker page not accepted).
  4. Hang up handset.

- **To track a called party without first calling them,**
  1. Lift handset and listen for intercom dial tone.
  2. Dial \* 8.
  3. Dial station number.
  4. Hear confirmation beep (Tracker page accepted) or hear busy tone (Tracker page not accepted).
  5. Hang up handset.
  
- **To use Tracker to transfer a call to a park orbit for retrieval and transmit the call's park orbit code and caller ID information (if available),**
  1. Answer a call.
  2. Press **TAP**.
  3. Dial station number of station that is to receive the call.
  4. If the called station does not answer or is busy, press \* 8.
  5. Hear confirmation beep (Tracker page accepted) or busy tone (Tracker page not accepted).
  6. Hang up handset.

***NOTE:** Tracker parked calls will re-ring your station if the called party does not respond within a preprogrammed time. You can either replace the call into another Tracker page orbit or retrieve the call for servicing.*

- **To retrieve a call that you parked using the Tracker option,**
  1. Lift handset and press **TAP**.

- **If you receive a parked call message on your Tracker pager,**
  1. Go to any system station.
  2. Lift handset and listen for intercom dial tone.
  3. Dial the orbit code (**#800–#899**) displayed on your pager.
  4. Retrieve call.
  
- **To enable or disable a Tracker pager at your station,**
  1. Lift handset and listen for intercom dial tone.
  2. Dial # **06** to disable,  
—OR—  
dial # **07** to enable.
  3. Hang up handset.

## **7.6 *Setting Your Personal Ringing Tones***

- **To alter the ring tone of your telephone so you can distinguish its ringing from that of others located close by,**
  1. Lift handset and listen for intercom dial tone.
  2. Dial \*\* **4**.
  3. Dial number (**1–8**) to select ring tone.
  4. Hang up handset.

## **7.7 *Setting Your Ring Volume***

- **To set the ring volume,**

8101N: Locate the switch on the bottom of the telephone and set it to either High or Low.

8201N: Adjust the volume control on the front of the telephone to Hi, Mid, Low, or Off (this control does not affect the handset volume).

## 7.8 Using The IMIST Module

An *Impact* SCS 8201N telephone equipped with the optional IMIST module can support an IST device (modem, FAX machine, industry-standard telephone, etc.) in addition to the telephone. Depending on system programming, the IST device may be used to make outgoing calls and receive incoming calls.

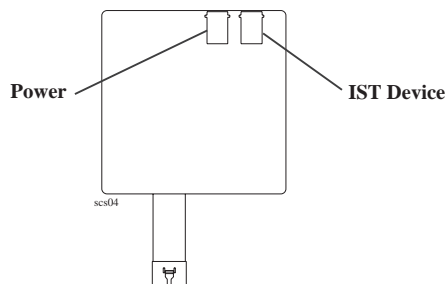
The functionality of the IMIST module depends on the type of system you are using.

- On a DXP system, the IMIST module does not have its own extension number and can not function simultaneously with the telephone.
- On a DXP *Plus* system, the IMIST module can function simultaneously with the telephone *if* your system has revision 5 or later firmware. If your system has an earlier firmware revision, the telephone and IMIST module can not function simultaneously.
- On an FX Series system, the telephone and IMIST module can function simultaneously.

**NOTE:** *The IMIST module does not provide voltage to light a message waiting light. Message waiting lights on devices plugged into the IMIST module will not function.*

If you have any other questions about IST devices, refer to GCA70–237, *Industry-Standard Telephone Station User's Guide*.

**NOTE:** *The IMIST card has a separate power supply. The wall transformer is a UL and CSA approved Class 2 device operating from 120 Vac, 60 Hz, 16 watts and provides an output of 24 Vac at 450 mA. For replacement, order Comdial P/N DIU-PTR.*



IMIST Module

8

## **Sending And Receiving Non-Verbal Messages**

### **8.1 Lighting The Message-Waiting Light**

- **To turn on the message-waiting light (and a broken dial tone) at an idle telephone,**
  1. Lift handset and listen for intercom dial tone.
  2. Dial \* 3.
  3. Dial extension number of station to be alerted. The message-waiting light of called station will flash. The message-waiting light can only be turned off by either the person sending the message or the person receiving the message.
  
- **To turn off the message-waiting light at a busy or idle station,**
  1. Lift handset and listen for intercom dial tone.
  2. Dial # 3.
  3. Dial extension number of station that was alerted. The message-waiting light of called station will turn off.
  
- **To turn off the message-waiting light at a station during a conversation with a party at that station,**
  1. Press INTERCOM.

***NOTE: The message waiting light can only be turned off by the person sending the message or the person receiving the message.***

- **To retrieve a message,**
  1. Observe flashing message-waiting light.
  2. Lift handset,
    - on 8101N-\*\* telephones press **HOLD**,
    - on 8201N-\*\* telephones press **MESSAGE**.Connection to station that left message is automatic.

***NOTE: The message-waiting light can only be turned off by either the person sending the message or the person receiving the message.***

## ***8.2 Sending A System-Supplied LCD Message To A Calling LCD Speakerphone***

---

- **To turn LCD messaging on.**
  1. Lift handset and listen for intercom dial tone.
  2. Dial \* **02**.
  3. Press # to clear current message if one is stored.
  4. Dial message code number (**01-30**).
  5. Dial #.
  6. **INTERCOM** light flashes.
  
- **To turn off LCD messaging, and your INTERCOM light,**
  1. Lift handset and listen for intercom dial tone.
  2. Dial # **02**.

# 9

## Programming Your Telephone

### 9.1 Storing Speed Dial Numbers

- **To store an outside number as a speed dial number,**
  1. Lift handset and listen for intercom dial tone.
  2. Dial \* \* 1.
  3. Dial 0–9 to choose storage location.
  4. Dial 01–16 to select line groups 1–16, or dial 00 to let system select line.
  5. Dial number to be stored (up to 16 digits long—include \* and # if needed). To store hookflash in a number sequence, press **TAP**; press **HOLD** to store pause (only if needed).
  6. Press **TRANSFER/CONFERENCE** to store number.
  7. To store another number, repeat steps 4 through 7.
  8. Repeat previous steps until all numbers are stored.
  9. Hang up handset to end.

**NOTE:** *The Federal Communications Commission (FCC) requires that when programming emergency numbers and making test calls to emergency numbers, you do the following: (1) Remain on the line and briefly explain to the dispatcher the reason for the call; (2) always make such a test call during the off-peak hours, such as early morning or late evening.*

*This page remains blank intentionally.*



**10*****Troubleshooting  
Your Telephone***

Symptom	Possible Cause
INTERCOM light flashing	Your messaging is set. Lift handset, then dial # 02 and hang up. Station is ringing with ringer off.
MUTE light on.	MUTE is activated. To cancel, press MUTE.
Error Tone (three steady tones)	May occur when incorrect buttons are pressed during speed dial programming. For example, if a button has a line assigned to it, or was not enabled for speed dial programming by the installer.

*This page remains blank intentionally.*

**Index****A**

- Adjusting The Telephone Pedestal . . . . . 1-4
- Answering Calls . . . . . 2-1
- Answering Subdued Off-Hook
  - Voice Announcement (SOHVA) Calls . . . . . 2-2
- Automatic Callback, From A Busy Station . . . . . 3-4
- Automatic Callback, From An Idle Station . . . . . 3-5

**B**

- Busy Station, Waiting For An Answer From A (Call Waiting) . . . . . 3-6
- Busy Station, Waiting For An Automatic Callback From A . . . . . 3-4

**C**

- Calls, Answering . . . . . 3-1
- Camping On At A Busy Station And
  - Waiting For An Answer (Call Waiting) . . . . . 3-6
- Camping On At A Busy Station And
  - Waiting For An Automatic Callback . . . . . 3-4
- Camping On At An Idle Station And
  - Waiting For An Automatic Callback . . . . . 3-5
- Conferencing Telephones Together . . . . . 6-1

**D**

- Do Not Disturb Condition, Overriding . . . . . 3-7

**E**

- Executive Override . . . . . 3-7

**F**

- Flash Feature . . . . . 7-1
- Forwarding Calls . . . . . 7-2

**H**

- Holding Calls . . . . . 4-1

**I**

- IMIST Module . . . . . 7-6

**L**

Lights, Understanding What They Mean . . . . . 1-2

**M**

Making A Paging Announcement . . . . . 7-1

Message-Waiting Light, Lighting . . . . . 8-1

**O**

Outside Calls, Transferring . . . . . 5-1

**P**

Paging Announcement, Making A . . . . . 7-1

Paging System, Using The Tracker . . . . . 7-3

Pedestal, Adjusting The Telephone . . . . . 1-4

Personal Ringing Tones, Setting . . . . . 7-5

Placing Calls On Hold . . . . . 4-1

Programming Your Telephone . . . . . 9-1

Pulse And Tone, Switching Between . . . . . 7-2

**Q**

Quick Reference Guide . . . . . Quick Reference-1

**R**

Recall/Flash Feature . . . . . 7-1

Ring Volume, Setting . . . . . 7-5

Ringing Tones, Setting . . . . . 7-5

**S**

Sending And Receiving Non-Verbal Messages . . . . . 8-1

Sending A System-Supplied LCD Message . . . . . 8-2

Setting Your Personal Ringing Tones . . . . . 7-5

Setting Your Ring Volume . . . . . 7-5

SOHVA Calls, Answering . . . . . 2-2

Speed Dial Numbers, Storing . . . . . 9-1

Stations, Conferencing . . . . . 6-1

Storing Speed Dial Numbers . . . . . 9-1

Subdued Off-Hook Voice Announcement Calls, Answering . . . . . 2-2

Switching Between Pulse And Tone . . . . . 7-2

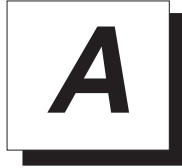
**T**

Tracker Paging System ..... 7-3  
Transferring Outside Calls..... 5-1  
Troubleshooting Your Telephone..... 10-1

**V**

Volume, Setting Ring..... 7-5

*This page remains blank intentionally.*



## **Appendix A**

### **Quick Reference Guide**

This chart provides you with a quick reference guide of the feature dialing codes. If you wish, you can detach this sheet and keep it near your telephone to serve as a stand alone reference. Chapter 9 describes methods to program these codes on your telephone at unused programmable buttons. Further, the installer may store features at your telephone buttons and label the buttons with the feature's mnemonics.

<b>Feature</b>	<b>Enable Code</b>	<b>Disable Code</b>
Account Code	INTERCOM * 04 + account code	
All Call	INTERCOM 70	
Attendant Calling	INTERCOM 0	
Authorization Code	INTERCOM # 08 + authorization code	
Automatic Call Back and Call Waiting	INTERCOM * 6	INTERCOM # 6
Automatic Redialing		
Background Music	INTERCOM * 11 or 12	INTERCOM # 1
Button Query (LCD Speakerphones)	INTERCOM * * 8	
Call Divert Station	INTERCOM * 55 + extension no.	
Call Forward, Personal	INTERCOM * 51 + extension no.	INTERCOM # 5
Call Forward, All Calls	INTERCOM * 52 + extension no.	INTERCOM # 5

Feature	Enable Code	Disable Code
Call Forward, Ring-No Answer, All Calls	INTERCOM * 54	INTERCOM # 5
Call Forward, Ring-No Answer, Personal Calls	INTERCOM * 53	INTERCOM # 5
Call Park, Orbit 91-99	INTERCOM * (91-99)	
Call Park, Pick Up	INTERCOM # 91-99	
Call Pick Up, Directed	INTERCOM * 4 + extension no.	
Call Pick Up, Group	INTERCOM # 4	
Clear Major Alarm Ring	INTERCOM # 09	
DISA Access	Installer Assigned	
Do Not Disturb	INTERCOM # 01	
Do Not Disturb, Override	extension no. + * 03	
DSS Programming	INTERCOM ** 3	
Executive Override	extension no. + * 03	
Hold, Manual	HOLD	
Hold, Executive	HOLD + HOLD	
Hold, Directed	INTERCOM * 90	
Hold, Directed Pick Up	INTERCOM # 90	
LCD Contrast— Digital LCD Speakerphone	INTERCOM ** 51-58	
LCD Messaging	INTERCOM * 02 + message	INTERCOM # 02



Feature	Enable Code	Disable Code
Line Group 1	INTERCOM 9	
Line Groups 2-11	INTERCOM 80-89	
Line Groups 12-16	INTERCOM 60-64	
Line Pick Up From Any Station, Zones 1-4	INTERCOM 65-68	
Line Pick Up From Any Station, All Zones	INTERCOM 69	
Meet Me Answer Page	INTERCOM 78	
Message Waiting	INTERCOM * 3 + extension no.	INTERCOM # 3 + extension no.
Message Wait Retrieval	#00	
Night Transfer (Attendant Only)	INTERCOM * # 0 * 031	
Operator Access	INTERCOM 0	
Paging, All Call	INTERCOM 70	
Paging, Zones 2-8	INTERCOM 71-77	
Paging, Meet Me	INTERCOM 78	
Park Orbit Retrieve	INTERCOM # 91-99	
Park Orbit Send	INTERCOM *91-*99	
Personal Ringing Tones	INTERCOM ** 4 + tone code (1-8)	
Redial Last Dialed Number	#	
Remote Station	INTERCOM # 05 + extension no.	INTERCOM * 05 + extension no.
Response Message	INTERCOM ** 6 + buttons + 01-30	

Feature	Enable Code	Disable Code
Service Observing	INTERCOM # 03 + extension no.	
Speed Dial, Station	1-0	
Speed Dial, System	* 000 * 999	
Speed Dial, Programming	INTERCOM ** 1	
Station Lock	INTERCOM # 04 + code	
Tracker Page, Send	INTERCOM * 8	
Tracker Page, Receive	INTERCOM # 8 + orbit code	
Tracker Pager, Use	INTERCOM # 07	INTERCOM # 06
Volume Save	INTERCOM ** 7	
Voice Announce Block	INTERCOM * 2	INTERCOM # 2

**NOTE:** *The dialing codes provided in this quick reference guide are default values. Your system installer has the ability to renumber these codes.*

The following table details several unique dialing codes that are only applicable to single line proprietary and industry-standard telephones.

Feature	Enable Code
Pick Up Last Line	* 08
Broker's Mode	* 07
Speed Dial Access Code	* 01
Saved Number Redial	* 06
Dial Saved Number	* 09
TAP Dialing Code	# #

## **NOTES**

## **NOTES**

## **NOTES**

## **NOTES**

This manual has been developed by Comdial Corporation (the “Company”) and is intended for the use of its customers and service personnel. The information in this manual is subject to change without notice. While every effort has been made to eliminate errors, the Company disclaims liability for any difficulties arising from the interpretation of the information contained herein.

The information contained herein does not purport to cover all details or variations in equipment or to provide for every possible contingency to be met in connection with installation, operation, or maintenance. Should further information be desired, or should particular problems arise which are not covered sufficiently for the purchaser’s purposes, contact Comdial, Inside Sales Department, P.O. Box 7266, Charlottesville, Virginia 22906.

**COMDIAL**®  
Charlottesville, Virginia 22901-2829  
World Wide Web: <http://www.comdial.com/>

Printed in U.S.A.

GCA70-251.06  
8/97